

# Enhancement Mode N-Channel Power MOSFET

## Features

- ◆ Low  $R_{DS(on)}$  & FOM
- ◆ Extremely low switching loss
- ◆ Excellent stability and uniformity
- ◆ Easy to drive

## Applications

- ◆ Lighting
- ◆ Hard switching PWM
- ◆ Server power supply
- ◆ Charger

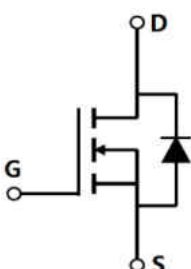



## ■ General Description

OSG80R1K4xF use advanced GreenMOSTM technology to provide low  $R_{DS(ON)}$ , low gate charge, fast switching and excellent avalanche characteristics. This device is suitable for active power factor correction and switching mode power supply applications.

◆ $V_{DS, min@Tjmax}$	850 V
◆ $I_D, pulse$	12 A
◆ $R_{DS(ON), max @ V_{GS}=10 V}$	1.4 $\Omega$
◆ $Q_g$	7.5 nC

## ■ Schematic and Package Information

<p><b>Schematic Diagram</b></p> 	<p><b>Pin Assignment Top View</b></p>  <p>TO251      TO252      TO220F      TO220</p> <p>OSG80R1K4AF    OSG80R1K4DF    OSG80R1K4FF    OSG80R1K4PF</p>
--	---

## ■ Absolute Maximum Ratings at $T_j=25^\circ\text{C}$ unless otherwise noted

Parameter	Symbol	Value	Unit
Drain source voltage	$V_{DS}$	800	V
Gate source voltage	$V_{GS}$	$\pm 30$	V
Continuous drain current <sup>1)</sup> , $T_C=25^\circ\text{C}$	$I_D$	4	A
Continuous drain current <sup>1)</sup> , $T_C=100^\circ\text{C}$		2.5	
Pulsed drain current <sup>2)</sup> , $T_C=25^\circ\text{C}$	$I_{D, pulse}$	12	A
Power dissipation <sup>3)</sup> for TO251, TO252, TO220, $T_C=25^\circ\text{C}$	$P_D$	37	W
Power dissipation <sup>3)</sup> for TO220F, $T_C=25^\circ\text{C}$		26	
Single pulsed avalanche energy <sup>5)</sup>	$E_{AS}$	100	mJ
MOSFET dv/dt ruggedness, $V_{DS}=0\dots 640\text{ V}$	dv/dt	50	V/ns
Reverse diode dv/dt, $V_{DS}=0\dots 640\text{ V}$ , $I_{SD}\leq I_D$	dv/dt	4	V/ns
Operation and storage temperature	$T_{stg}, T_j$	-55 to 150	$^\circ\text{C}$



## ■ Thermal Characteristics

Parameter	Symbol	Value		Unit
		TO251/TO252/TO220	TO220F	
Thermal resistance, junction-case	$R_{\theta JC}$	3.4	4.8	°C/W
Thermal resistance, junction-ambient <sup>4)</sup>	$R_{\theta JA}$	62	62.5	°C/W

## ■ Electrical Characteristics at $T_j=25\text{ }^\circ\text{C}$ unless otherwise specified

Parameter	Symbol	Min.	Typ.	Max.	Unit	Test condition
Drain-source breakdown voltage	$BV_{DSS}$	800			V	$V_{GS}=0\text{ V}$ , $I_D=250\text{ }\mu\text{A}$
		850	930			$V_{GS}=0\text{ V}$ , $I_D=250\text{ }\mu\text{A}$ , $T_j=150\text{ }^\circ\text{C}$
Gate threshold voltage	$V_{GS(th)}$	2.0		4.0	V	$V_{DS}=V_{GS}$ , $I_D=250\text{ }\mu\text{A}$
Drain-source on-state resistance	$R_{DS(on)}$		1.1	1.4	$\Omega$	$V_{GS}=10\text{ V}$ , $I_D=2\text{ A}$
			2.75			$V_{GS}=10\text{ V}$ , $I_D=2\text{ A}$ , $T_j=150\text{ }^\circ\text{C}$
Gate-source leakage current	$I_{GSS}$			100	nA	$V_{GS}=30\text{ V}$
				-100		$V_{GS}=-30\text{ V}$
Drain-source leakage current	$I_{DSS}$			10	$\mu\text{A}$	$V_{DS}=800\text{ V}$ , $V_{GS}=0\text{ V}$
Gate resistance	$R_G$			4.1	$\Omega$	$f=1\text{ MHz}$ , Open drain

## ■ Dynamic Characteristics

Parameter	Symbol	Min.	Typ.	Max.	Unit	Test condition
Input capacitance	$C_{iss}$		363.5		pF	$V_{GS}=0\text{ V}$ , $V_{DS}=50\text{ V}$ , $f=1\text{ MHz}$
Output capacitance	$C_{oss}$		25.5		pF	
Reverse transfer capacitance	$C_{rss}$		1.35		pF	
Turn-on delay time	$t_{d(on)}$		16.8		ns	$V_{GS}=10\text{ V}$ , $V_{DS}=400\text{ V}$ , $R_G=25\text{ }\Omega$ , $I_D=2\text{ A}$
Rise time	$t_r$		5.7		ns	
Turn-off delay time	$t_{d(off)}$		31		ns	
Fall time	$t_f$		42.8		ns	



## ■ Gate Charge Characteristics

Parameter	Symbol	Min.	Typ.	Max.	Unit	Test condition
Total gate charge	$Q_g$		7.5		nC	$I_D=4\text{ A}$ , $V_{DS}=400\text{ V}$ , $V_{GS}=10\text{ V}$
Gate-source charge	$Q_{gs}$		2.1		nC	
Gate-drain charge	$Q_{gd}$		2.9		nC	
Gate plateau voltage	$V_{\text{plateau}}$		5.6		V	

## ■ Body Diode Characteristics

Parameter	Symbol	Min.	Typ.	Max.	Unit	Test condition
Diode forward current	$I_S$			4	A	$V_{GS}<V_{th}$
Pulsed source current	$I_{SP}$			12		
Diode forward voltage	$V_{SD}$			1.3	V	$I_S=4\text{ A}$ , $V_{GS}=0\text{ V}$
Reverse recovery time	$t_{rr}$		214.4		ns	$I_S=4\text{ A}$ , $di/dt=100\text{ A}/\mu\text{s}$
Reverse recovery charge	$Q_{rr}$		1.6		$\mu\text{C}$	
Peak reverse recovery current	$I_{rrm}$		13.3		A	

## ■ Note

- 1) Calculated continuous current based on maximum allowable junction temperature.
- 2) Repetitive rating; pulse width limited by max. junction temperature.
- 3)  $P_d$  is based on max. junction temperature, using junction-case thermal resistance.
- 4) The value of  $R_{\theta JA}$  is measured with the device mounted on 1 in 2 FR-4 board with 2oz. Copper, in a still air environment with  $T_a=25\text{ }^\circ\text{C}$ .
- 5)  $V_{DD}=50\text{ V}$ ,  $R_G=25\text{ }\Omega$ ,  $L=10\text{ mH}$ , starting  $T_j=25\text{ }^\circ\text{C}$ .



## Electrical Characteristics Diagrams

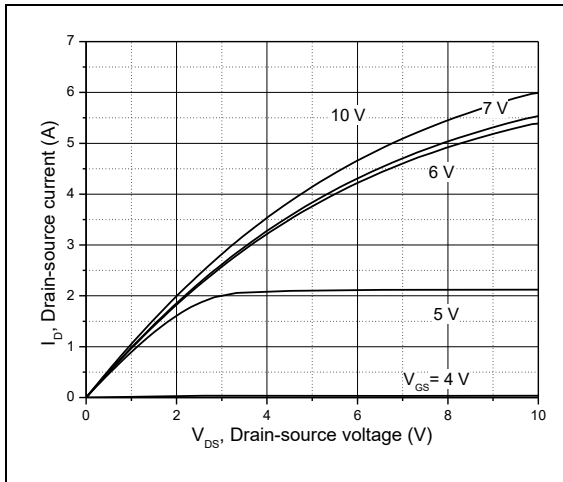


Figure 1, Typ. output characteristics

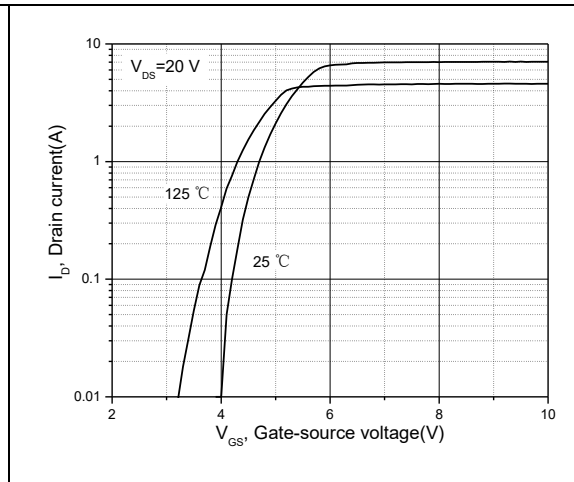


Figure 2, Typ. transfer characteristics

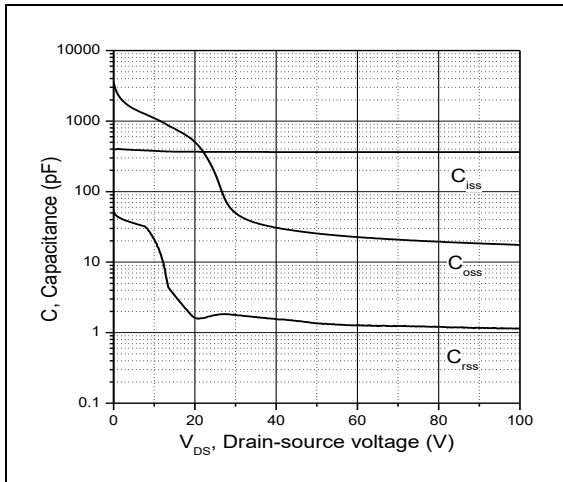


Figure 3, Typ. capacitances

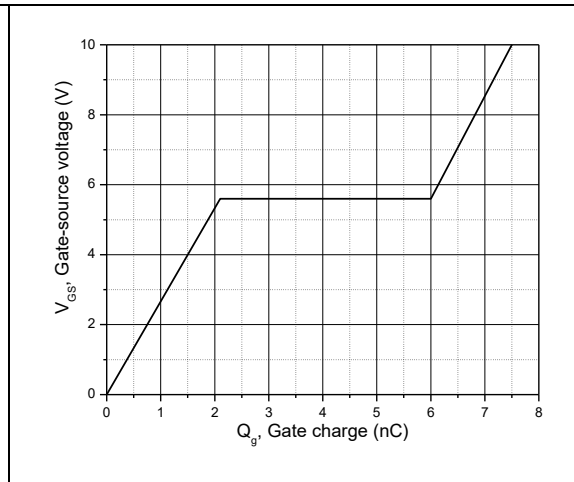


Figure 4, Typ. gate charge

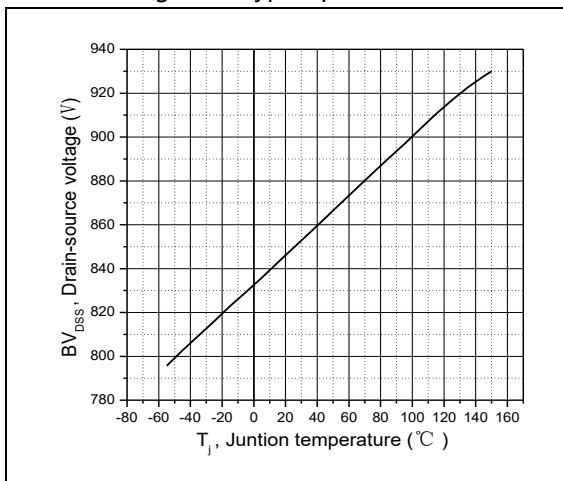


Figure 5, Drain-source breakdown voltage

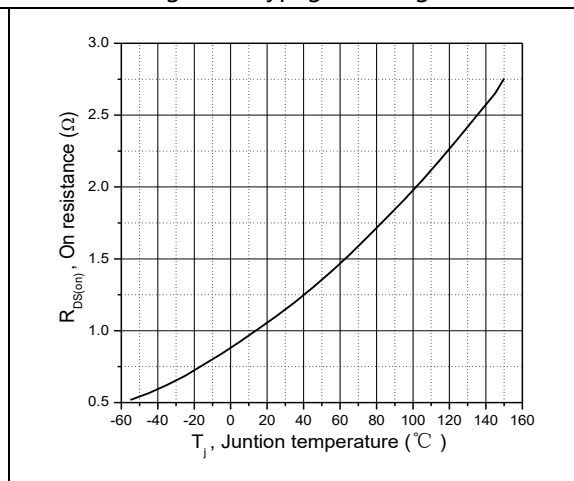


Figure 6, Drain-source on-state resistance

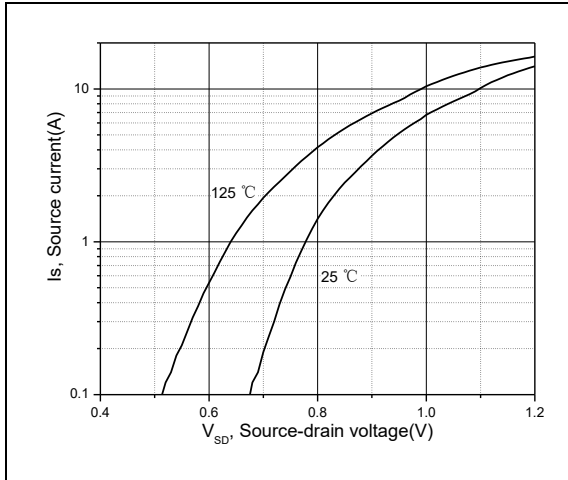


Figure 7, Forward characteristic of body diode

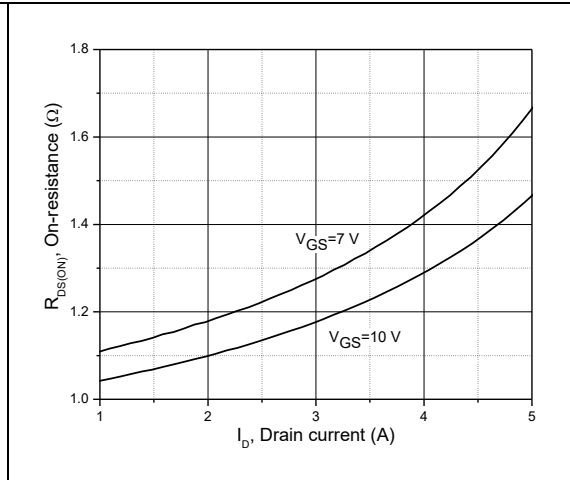


Figure 8, Drain-source on-state resistance

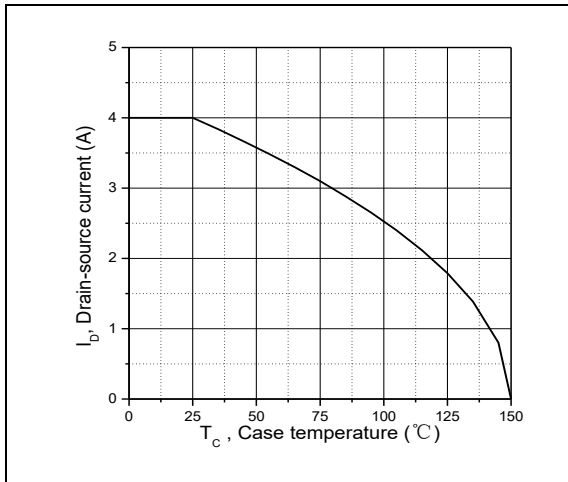


Figure 9, Drain current

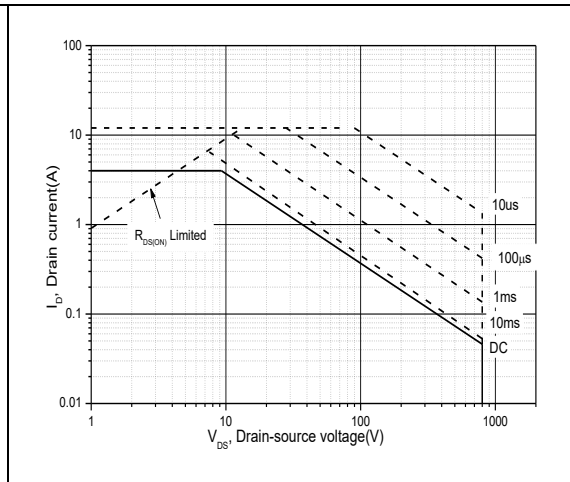


Figure 10, Safe operation area for TO251/TO252/TO220 TC=25 °C

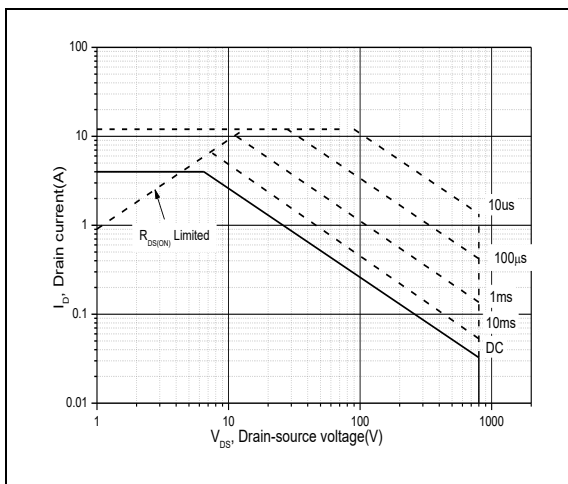


Figure 11, Safe operation area for TO220F TC=25 °C



■ Test circuits and waveforms

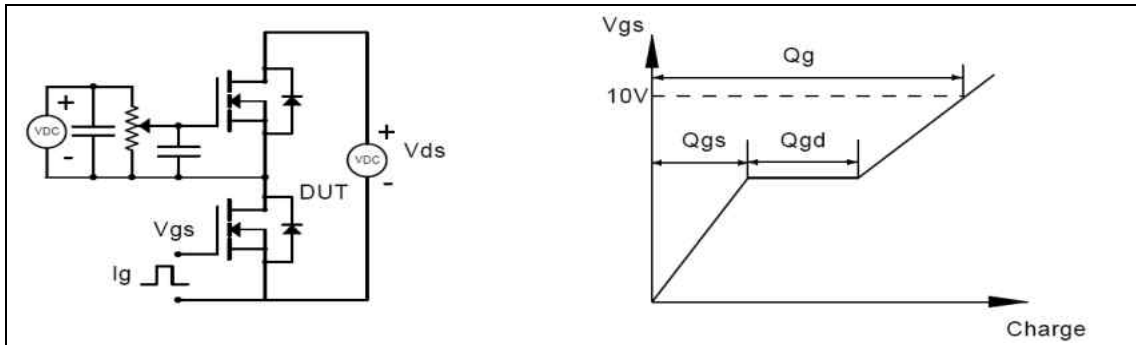


Figure 1, Gate charge test circuit & waveform

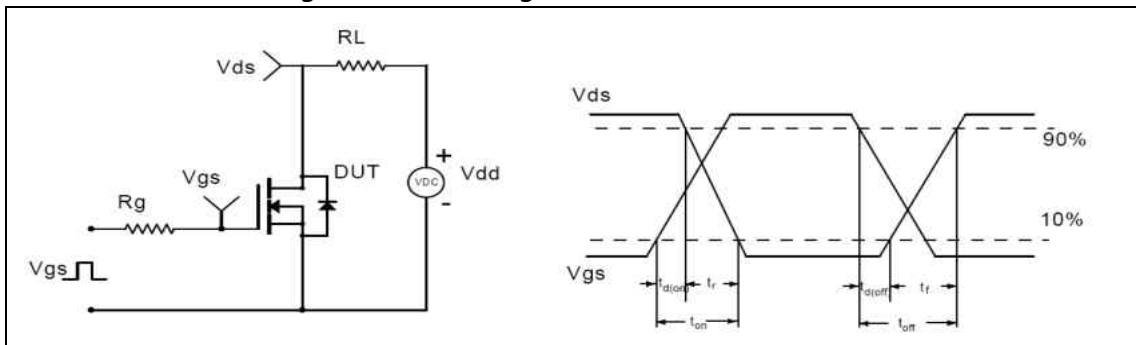


Figure 2, Switching time test circuit & waveforms

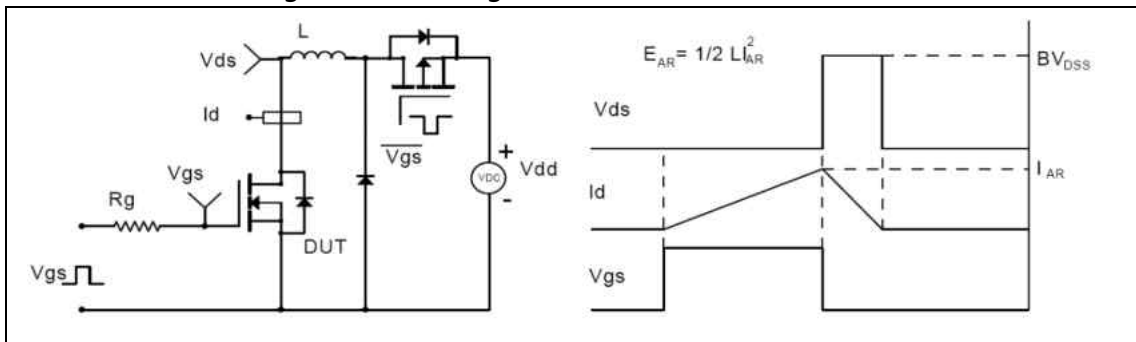


Figure 3, Unclamped inductive switching (UIS) test circuit & waveforms

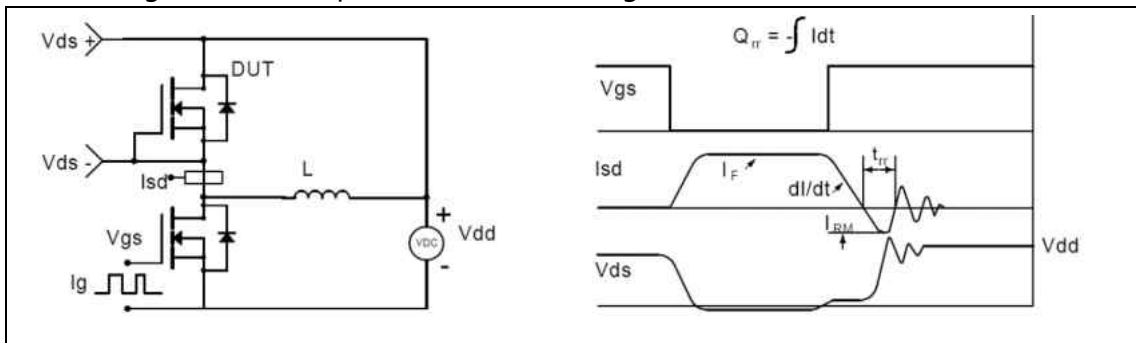
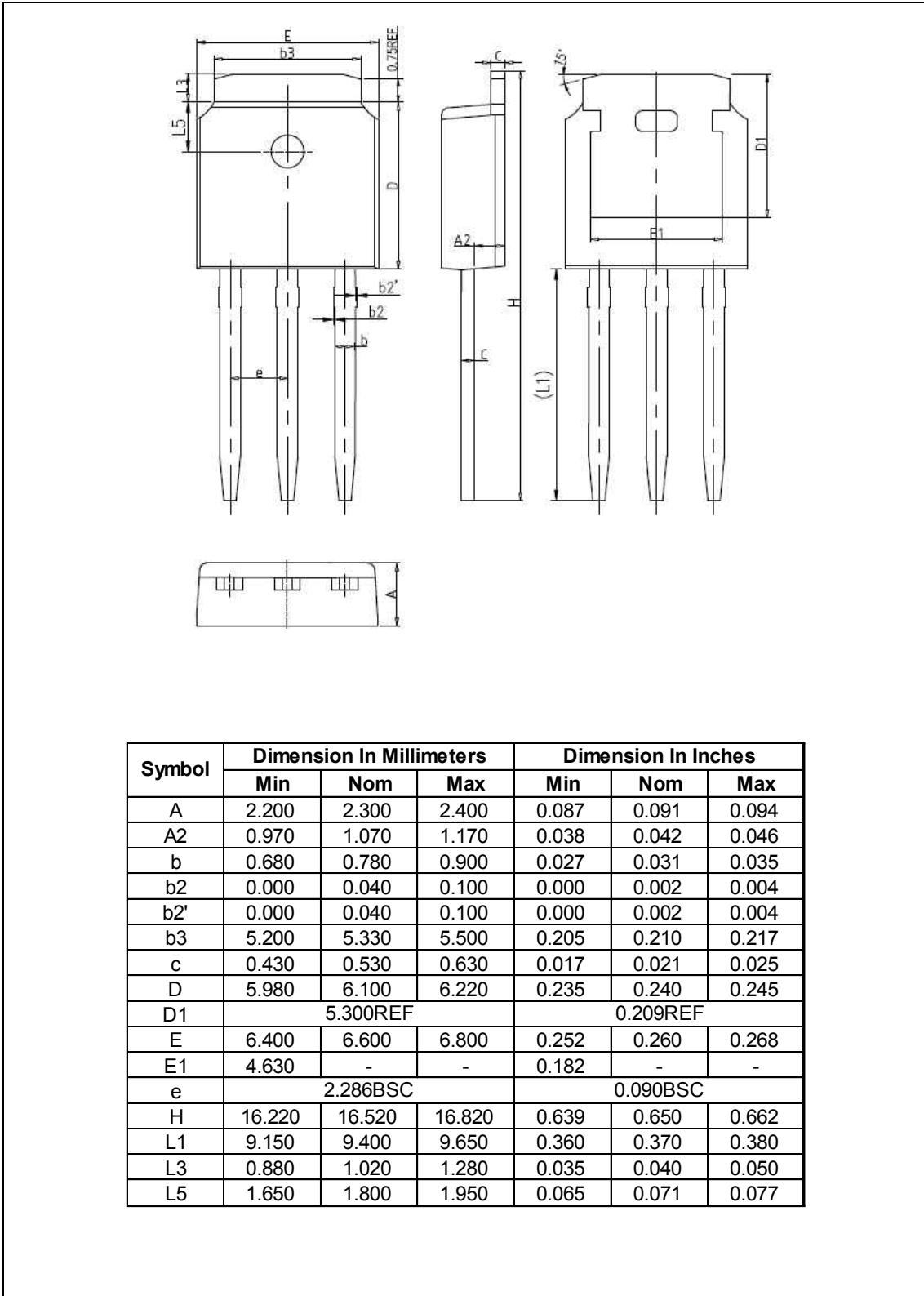


Figure 4, Diode reverse recovery test circuit & waveforms



■ Package Information

Figure1, TO251 package outline dimension

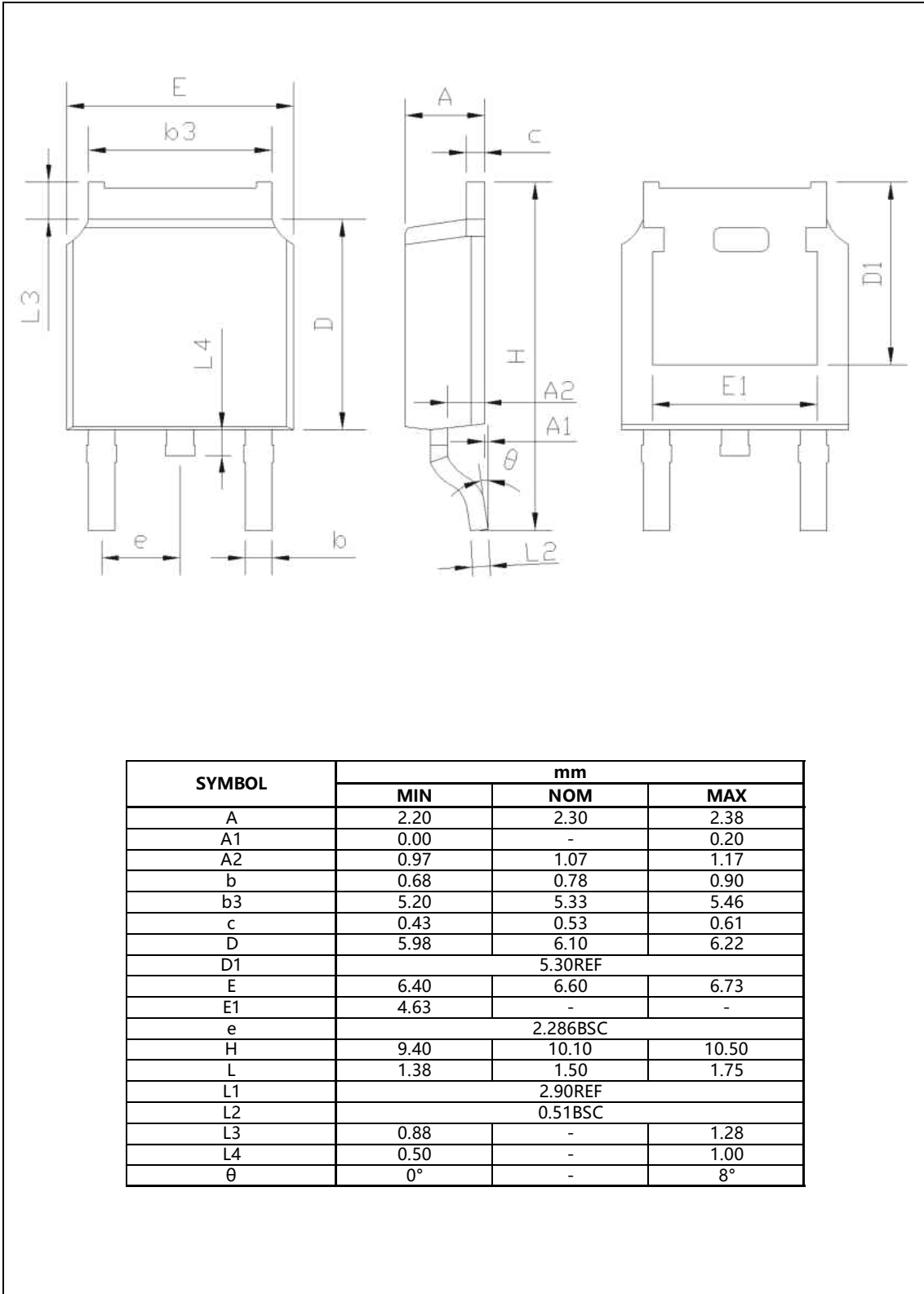






■ Package Information

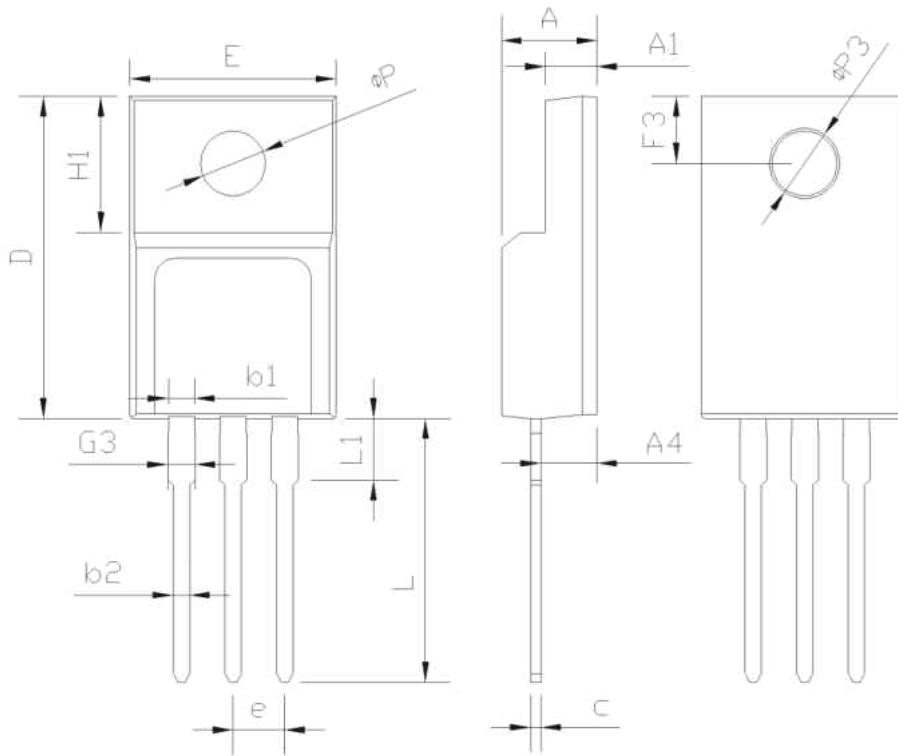
Figure2, TO252 package outline dimension





■ Package Information

Figure3, TO220F package outline dimension

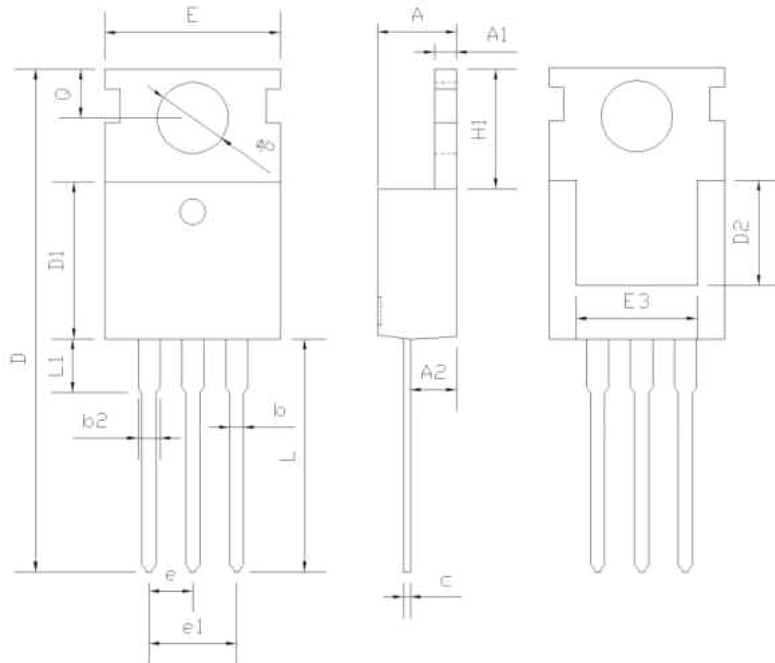


SYMBOL	mm		
	MIN	NOM	MAX
E	9.96	10.16	10.36
A	4.50	4.70	4.90
A1	2.34	2.54	2.74
A2	0.30	0.45	0.60
A4	2.56	2.76	2.96
c	0.40	0.50	0.65
c1	1.20	1.30	1.35
D	15.57	15.87	16.17
H1	6.70REF		
e	2.54BSC		
L	12.68	12.98	13.28
L1	2.88	3.03	3.18
ΦP	3.03	3.18	3.38
ΦP3	3.15	3.45	3.65
F3	3.15	3.30	3.45
G3	1.25	1.35	1.55
b1	1.18	1.28	1.43
b2	0.70	0.80	0.95



## ■ Package Information

Figure4, TO220 package outline dimension



Symbol	Min	Nom	Max
A	4.37	4.57	4.77
A1	1.25	1.30	1.45
A2	2.20	2.40	2.60
b	0.70	0.80	0.95
b2	1.17	1.27	1.47
c	0.40	0.50	0.65
D	15.10	15.60	16.10
D1	8.80	9.10	9.40
D2	5.50	-	-
E	9.70	10.00	10.30
E3	7.00	-	-
e	2.54 BSC		
e1	5.08 BSC		
H1	6.25	6.50	6.85
L	12.75	13.50	13.80
L1	-	3.10	3.40
ΦP	3.40	3.60	3.80
Q	2.60	2.80	3.00



## ■ Ordering Information

Package	Units/Tube	Tubes/Inner Box	Units/Inner Box	Inner Box/Carton Box	Units/Carton Box
TO251	75	66	4950	6	29700
TO220F	50	20	1000	6	6000
TO220	50	20	1000	6	6000

Package	Units/Tape	Tapes/Inner Box	Units/Inner Box	Inner Box/Carton Box	Units/Carton Box
TO252	2500	2	5000	5	25000

## ■ Product Information

Product	Package	Pb Free	RoHS	Halogen Free
OSG80R1K4AF	TO251	yes	yes	yes
OSG80R1K4DF	TO252	yes	yes	yes
OSG80R1K4FF	TO220F	yes	yes	yes
OSG80R1K4PF	TO220	yes	yes	yes