

Enhancement Mode N-Channel Power MOSFET

Features

- ◆ Low $R_{DS(on)}$ & FOM
- ◆ Extremely low switching loss
- ◆ Excellent stability and uniformity
- ◆ Easy to drive

Applications

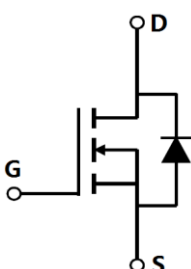

- ◆ Lighting
- ◆ Hard switching PWM
- ◆ Server power supply
- ◆ Charger

■ General Description

OSG60R900xF use advanced GreenMOSTM technology to provide low $R_{DS(ON)}$, low gate charge, fast switching and excellent avalanche characteristics. This device is suitable for active power factor correction and switching mode power supply applications.

◆ $V_{DS, min@Tjmax}$	650 V
◆ $I_D, pulse$	15 A
◆ $R_{DS(ON), max @ V_{GS}=10 V}$	900 mΩ
◆ Q_g	7.6 nC

■ Schematic and Package Information

Schematic Diagram 	Pin Assignment Top View 								
	<table border="0"> <tr> <td>TO251</td> <td>TO252</td> <td>TO220F</td> <td>TO220</td> </tr> <tr> <td>OSG60R900AF</td> <td>OSG60R900DF</td> <td>OSG60R900FF</td> <td>OSG60R900PF</td> </tr> </table>	TO251	TO252	TO220F	TO220	OSG60R900AF	OSG60R900DF	OSG60R900FF	OSG60R900PF
TO251	TO252	TO220F	TO220						
OSG60R900AF	OSG60R900DF	OSG60R900FF	OSG60R900PF						

■ Absolute Maximum Ratings at $T_j=25^{\circ}C$ unless otherwise noted

Parameter	Symbol	Value	Unit
Drain source voltage	V_{DS}	600	V
Gate source voltage	V_{GS}	±30	V
Continuous drain current ¹⁾ , $T_C=25^{\circ}C$	I_D	5	A
Continuous drain current ¹⁾ , $T_C=100^{\circ}C$		3.2	
Pulsed drain current ²⁾ , $T_C=25^{\circ}C$	$I_{D, pulse}$	15	A
Power dissipation ³⁾ for TO251, TO252, TO220, $T_C=25^{\circ}C$	P_D	37	W
Power dissipation ³⁾ for TO220F, $T_C=25^{\circ}C$		26	
Single pulsed avalanche energy ⁵⁾	E_{AS}	130	mJ
MOSFET dv/dt ruggedness, $V_{DS}=0...480 V$	dv/dt	50	V/ns
Reverse diode dv/dt, $V_{DS}=0...480 V, I_{SD} \leq I_D$	dv/dt	15	V/ns
Operation and storage temperature	T_{stg}, T_j	-55 to 150	°C



■ Thermal Characteristics

Parameter	Symbol	Value		Unit
		TO251/TO252/TO220	TO220F	
Thermal resistance, junction-case	$R_{\theta JC}$	3.4	4.8	°C/W
Thermal resistance, junction-ambient ⁴⁾	$R_{\theta JA}$	62	62.5	°C/W

■ Electrical Characteristics at $T_j=25\text{ }^\circ\text{C}$ unless otherwise specified

Parameter	Symbol	Min.	Typ.	Max.	Unit	Test condition
Drain-source breakdown voltage	BV_{DSS}	600			V	$V_{GS}=0\text{ V}$, $I_D=250\text{ }\mu\text{A}$
		650	716			$V_{GS}=0\text{ V}$, $I_D=250\text{ }\mu\text{A}$, $T_j=150\text{ }^\circ\text{C}$
Gate threshold voltage	$V_{GS(th)}$	2.0		4.0	V	$V_{DS}=V_{GS}$, $I_D=250\text{ }\mu\text{A}$
Drain-source on-state resistance	$R_{DS(on)}$		0.66	0.90	Ω	$V_{GS}=10\text{ V}$, $I_D=3\text{ A}$
			1.6			$V_{GS}=10\text{ V}$, $I_D=3\text{ A}$, $T_j=150\text{ }^\circ\text{C}$
Gate-source leakage current	I_{GSS}			100	nA	$V_{GS}=30\text{ V}$
				-100		$V_{GS}=-30\text{ V}$
Drain-source leakage current	I_{DSS}			1	μA	$V_{DS}=600\text{ V}$, $V_{GS}=0\text{ V}$

■ Dynamic Characteristics

Parameter	Symbol	Min.	Typ.	Max.	Unit	Test condition
Input capacitance	C_{iss}		354.2		pF	$V_{GS}=0\text{ V}$, $V_{DS}=50\text{ V}$, $f=1\text{ MHz}$
Output capacitance	C_{oss}		31.4		pF	
Reverse transfer capacitance	C_{rss}		1.54		pF	
Turn-on delay time	$t_{d(on)}$		17.6		ns	$V_{GS}=10\text{ V}$, $V_{DS}=400\text{ V}$, $R_G=25\text{ }\Omega$, $I_D=5\text{ A}$
Rise time	t_r		11.4		ns	
Turn-off delay time	$t_{d(off)}$		27.2		ns	
Fall time	t_f		24.4		ns	



■ Gate Charge Characteristics

Parameter	Symbol	Min.	Typ.	Max.	Unit	Test condition
Total gate charge	Q_g		7.6		nC	$I_D=5\text{ A}$, $V_{DS}=400\text{ V}$, $V_{GS}=10\text{ V}$
Gate-source charge	Q_{gs}		1.9		nC	
Gate-drain charge	Q_{gd}		3.6		nC	
Gate plateau voltage	V_{plateau}		5.6		V	

■ Body Diode Characteristics

Parameter	Symbol	Min.	Typ.	Max.	Unit	Test condition
Diode forward current	I_S			5	A	$V_{GS} < V_{th}$
Pulsed source current	I_{SP}			15		
Diode forward voltage	V_{SD}			1.3	V	$I_S=5\text{ A}$, $V_{GS}=0\text{ V}$
Reverse recovery time	t_{rr}		146		ns	$V_R=400\text{ V}$, $I_S=5\text{ A}$, $di/dt=100\text{ A}/\mu\text{s}$
Reverse recovery charge	Q_{rr}		0.98		μC	
Peak reverse recovery current	I_{rrm}		11.6		A	

■ Note

- 1) Calculated continuous current based on maximum allowable junction temperature.
- 2) Repetitive rating; pulse width limited by max. junction temperature.
- 3) P_d is based on max. junction temperature, using junction-case thermal resistance.
- 4) The value of $R_{\theta JA}$ is measured with the device mounted on 1 in 2 FR-4 board with 2oz. Copper, in a still air environment with $T_a=25\text{ }^\circ\text{C}$.
- 5) $V_{DD}=50\text{ V}$, $R_G=25\text{ }\Omega$, $L=20\text{ mH}$, starting $T_j=25\text{ }^\circ\text{C}$.



Electrical Characteristics Diagrams

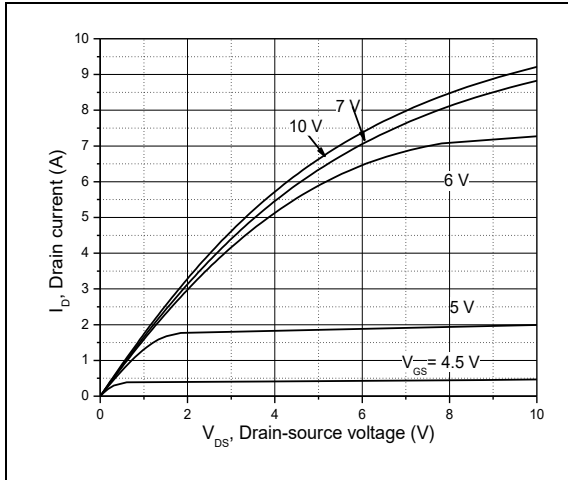


Figure 1, Typ. output characteristics

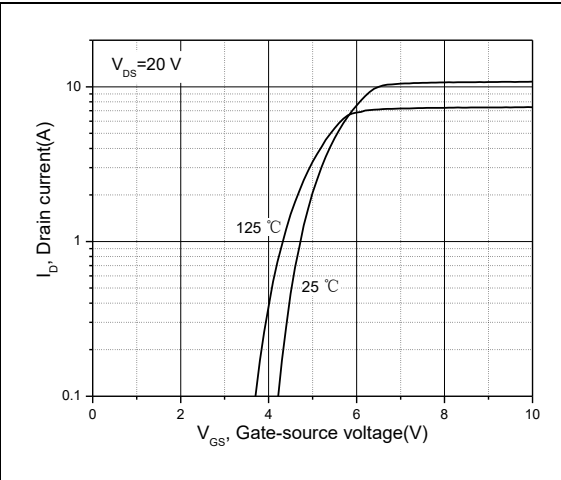


Figure 2, Typ. transfer characteristics

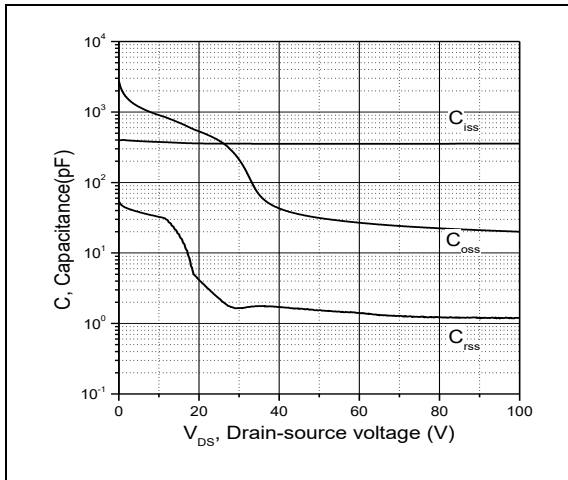


Figure 3, Typ. capacitances

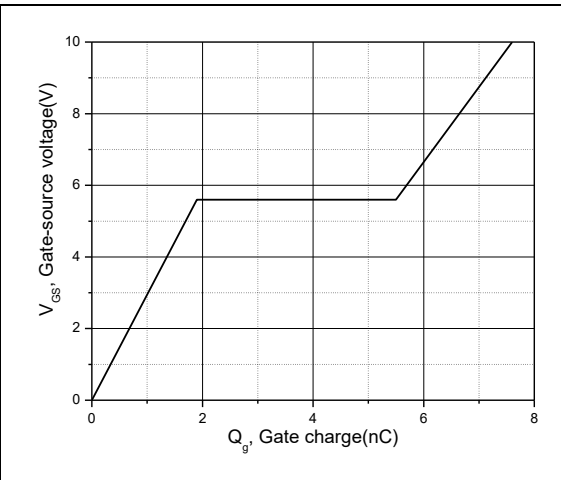


Figure 4, Typ. gate charge

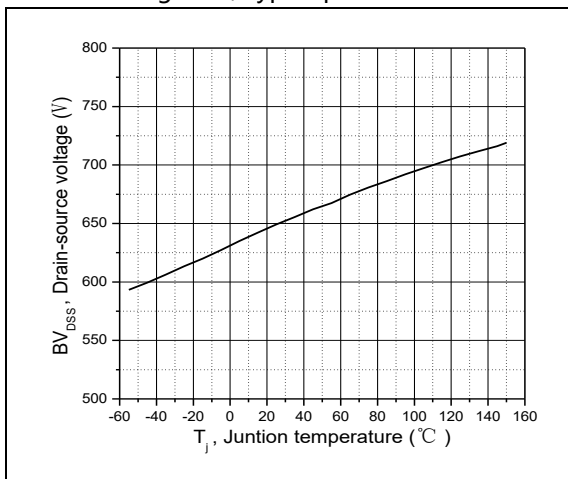


Figure 5, Drain-source breakdown voltage

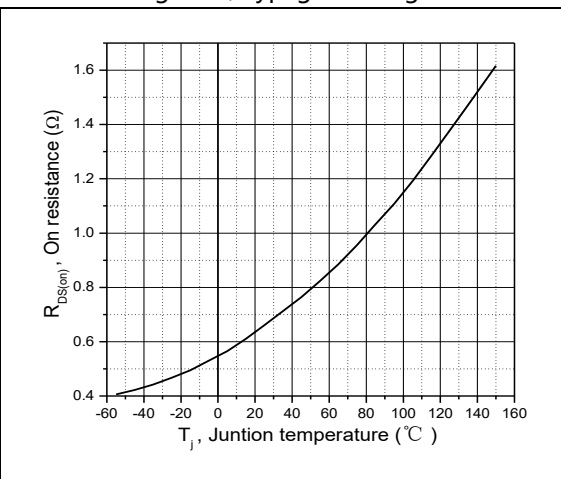


Figure 6, Drain-source on-state resistance

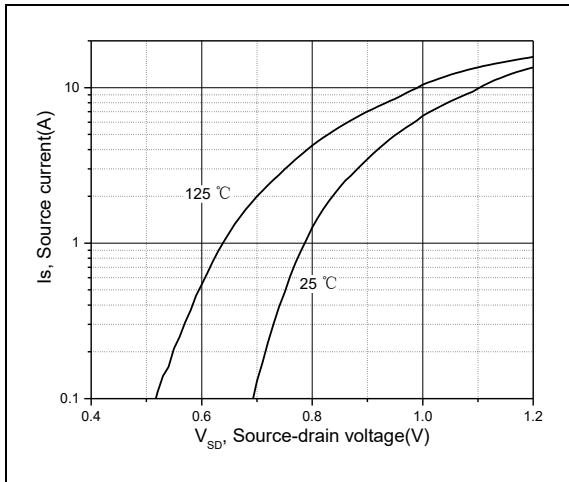


Figure 7, Forward characteristic of body diode

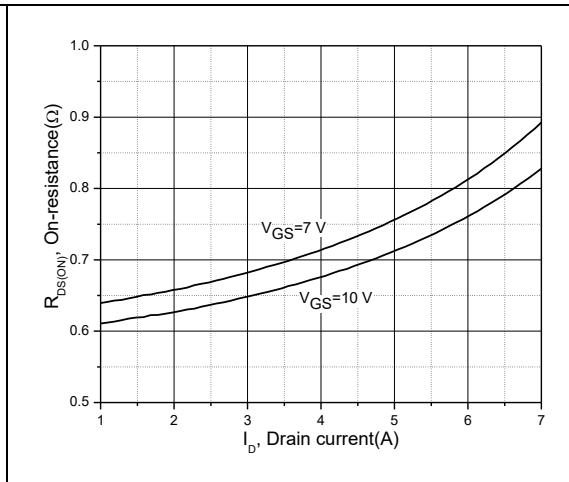


Figure 8, Drain-source on-state resistance

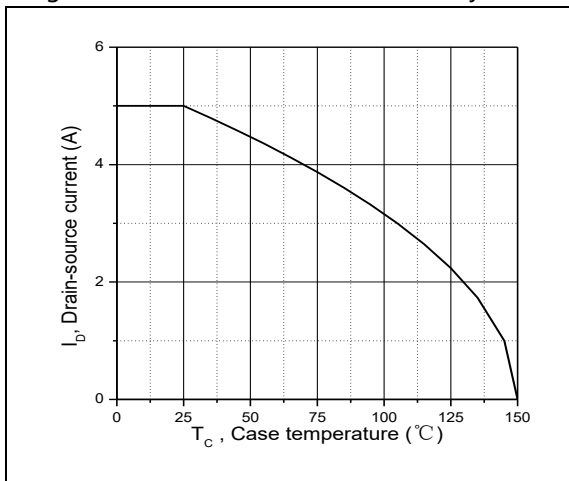


Figure 9, Drain current

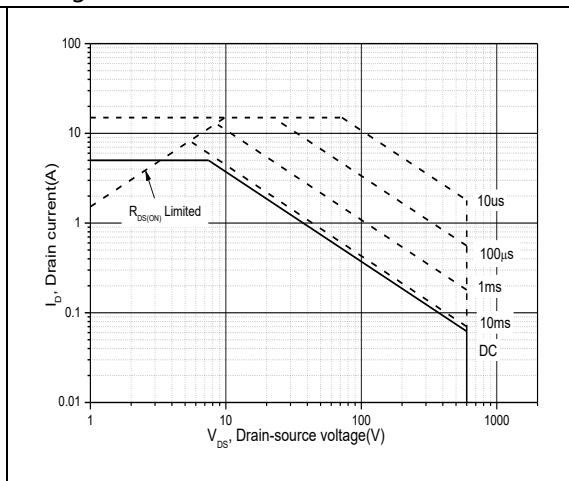


Figure 10, Safe operation area for
TO251/TO252/TO220 $T_C=25\text{ }^\circ\text{C}$

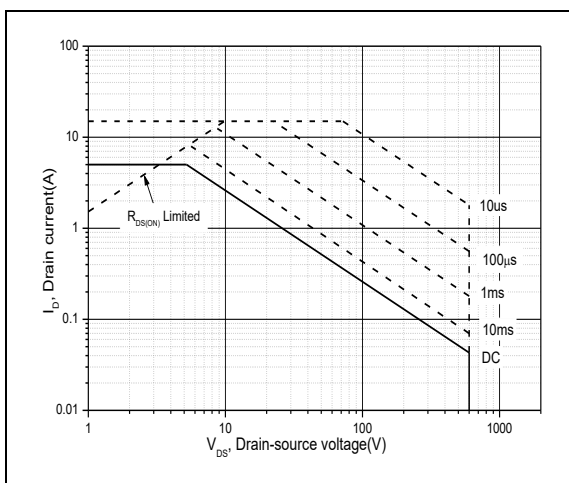


Figure 11, Safe operation area for TO220F
 $T_C=25\text{ }^\circ\text{C}$



■ Test circuits and waveforms

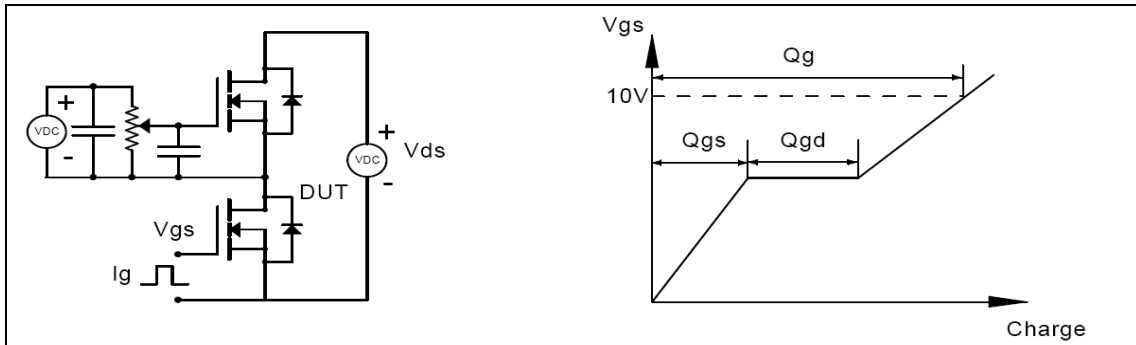


Figure 1, Gate charge test circuit & waveform

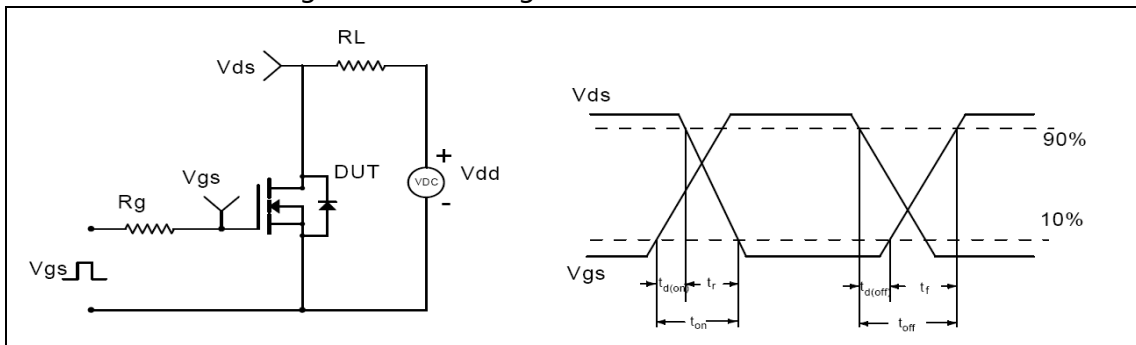


Figure 2, Switching time test circuit & waveforms

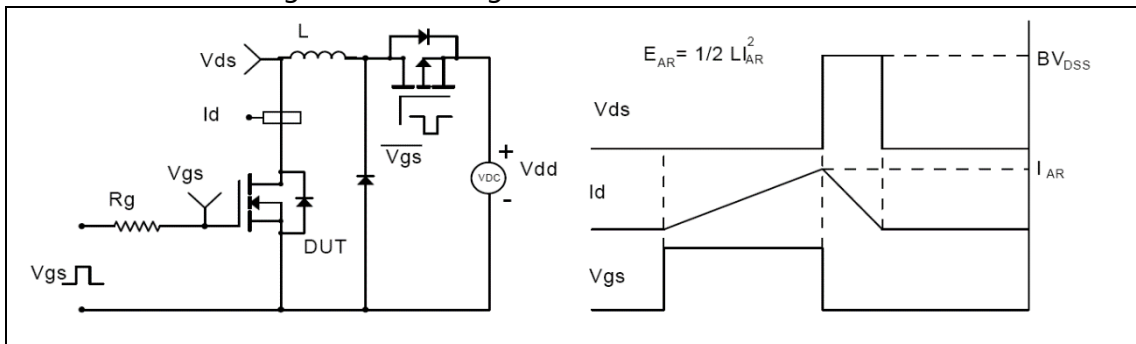


Figure 3, Unclamped inductive switching (UIS) test circuit & waveforms

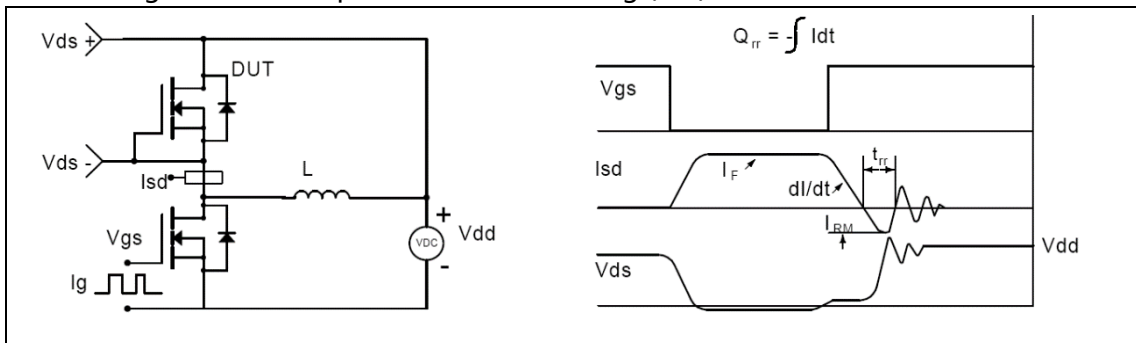
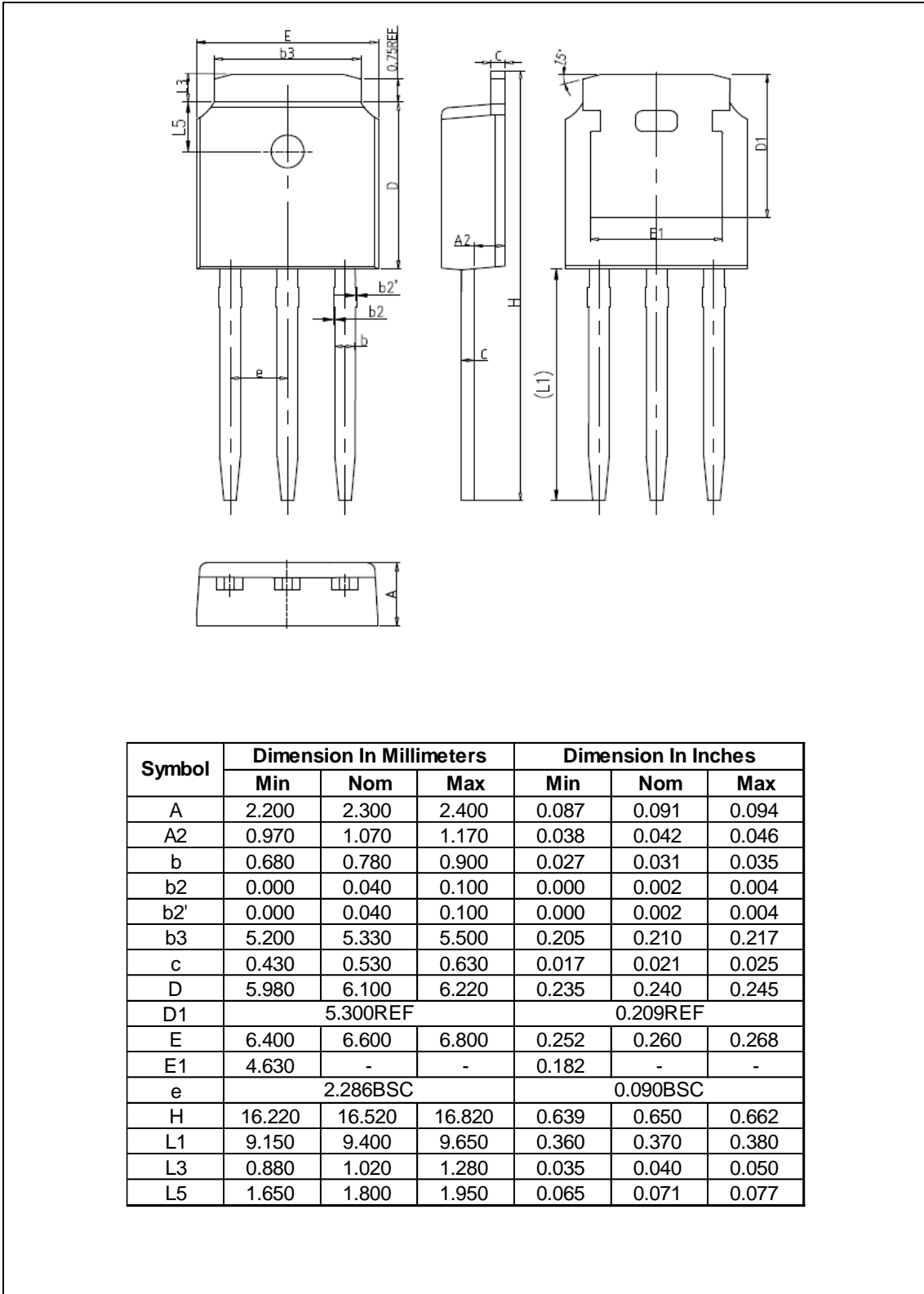


Figure 4, Diode reverse recovery test circuit & waveforms



■ Package Information

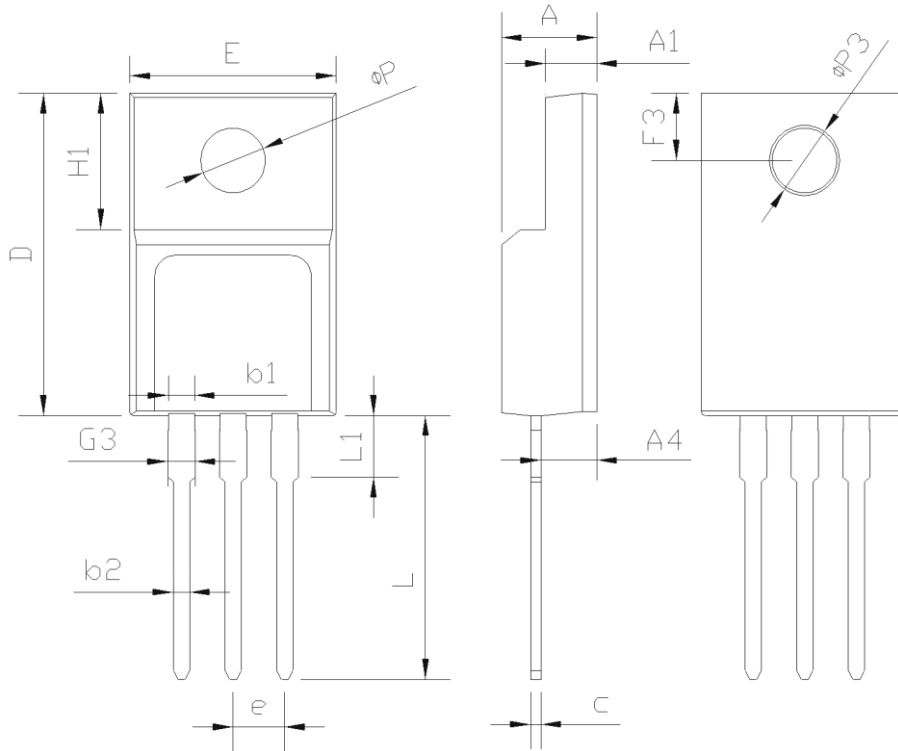
Figure1, TO251 package outline dimension





■ Package Information

Figure3, TO220F package outline dimension

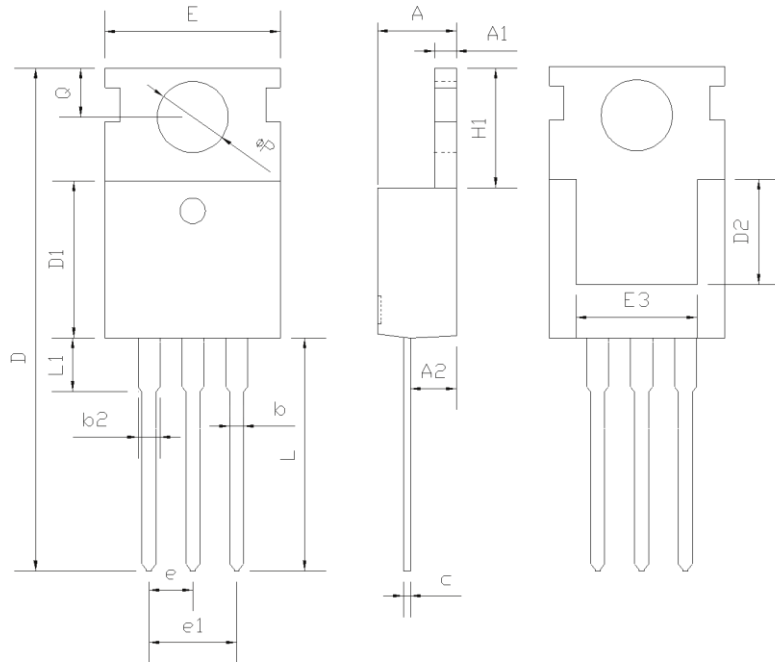


SYMBOL	mm		
	MIN	NOM	MAX
E	9.96	10.16	10.36
A	4.50	4.70	4.90
A1	2.34	2.54	2.74
A2	0.30	0.45	0.60
A4	2.56	2.76	2.96
c	0.40	0.50	0.65
c1	1.20	1.30	1.35
D	15.57	15.87	16.17
H1	6.70REF		
e	2.54BSC		
L	12.68	12.98	13.28
L1	2.88	3.03	3.18
ΦP	3.03	3.18	3.38
ΦP3	3.15	3.45	3.65
F3	3.15	3.30	3.45
G3	1.25	1.35	1.55
b1	1.18	1.28	1.43
b2	0.70	0.80	0.95



■ Package Information

Figure4, TO220 package outline dimension



Symbol	Min	Nom	Max
A	4.37	4.57	4.77
A1	1.25	1.30	1.45
A2	2.20	2.40	2.60
b	0.70	0.80	0.95
b2	1.17	1.27	1.47
c	0.40	0.50	0.65
D	15.10	15.60	16.10
D1	8.80	9.10	9.40
D2	5.50	-	-
E	9.70	10.00	10.30
E3	7.00	-	-
e	2.54 BSC		
e1	5.08 BSC		
H1	6.25	6.50	6.85
L	12.75	13.50	13.80
L1	-	3.10	3.40
ΦP	3.40	3.60	3.80
Q	2.60	2.80	3.00



■ Ordering Information

Package	Units/Tube	Tubes/Inner Box	Units/Inner Box	Inner Box/Carton Box	Units/Carton Box
TO251	75	66	4950	6	29700
TO220F	50	20	1000	6	6000
TO220	50	20	1000	6	6000

Package	Units/Tape	Tapes/Inner Box	Units/Inner Box	Inner Box/Carton Box	Units/Carton Box
TO252	2500	2	5000	5	25000

■ Product Information

Product	Package	Pb Free	RoHS	Halogen Free
OSG60R900AF	TO251	yes	yes	yes
OSG60R900DF	TO252	yes	yes	yes
OSG60R900FF	TO220F	yes	yes	yes
OSG60R900PF	TO220	yes	yes	yes